

SDL-3x-1ACF-205G

SDL . 1 Acrylic Frosted Lens . 205 Grid

PROJECT:
CAT.NO:
NOTES:

DATE:
TYPE:
VOLTS:

PEERLUX[®]
SERIES

GENERAL DESCRIPTION

LED luminaire for **recessed** installation in an exposed flat 15/16" T-grid ceiling. For other grid ceiling, consult factory. Single contoured acrylic diffuser ribbed on the inside for maximum light distribution and smooth on the outside to prevent dirt accumulation. Frosted acrylic improves LED visual performance and eliminates glare. Rigid one-piece body die-formed of code gauge steel. Contoured steel reflector and frosted lens assembly is held within a hinged and latched frame. Designed to provide high performance lighting in a low profile housing. Ideal for indoor lighting, retail spaces and other commercial environments.

CERTIFICATION

Approved to UL1598 and CSA C22.2 No. 250 standards**
Suitable for damp locations.



*LED Five (5) year limited warranty.
**Operating temperature: -20°C to +35°C / -4°F to +95 °F, consult factory for operating temperatures outside the listed range.
***Not all available products are DLC qualified. View DLC Qualified Products List at designlights.org to confirm which versions are qualified.
Specifications are subject to change. Please confirm latest specifications prior to placing order.

ELECTRICAL

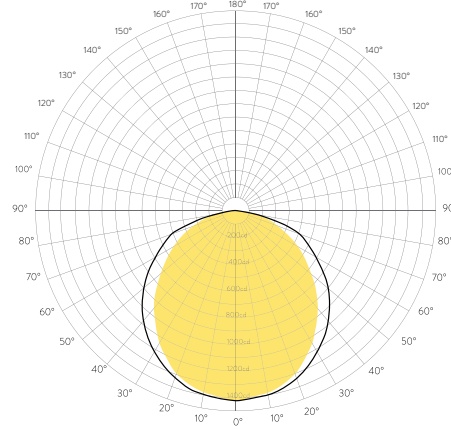
3000K 3500K 4000K

120V - 277V 347V

*TW (Tunable White), other CCT, RGB (Red, Green, Blue LEDs), DM (dim to warm) available, consult factory.
L80 performance at 60,000 hours minimum.
80 CRI Standard. Other dimming options, lumen options, 90CRI and lengths available, consult factory.



PHOTOMETRIC DATA



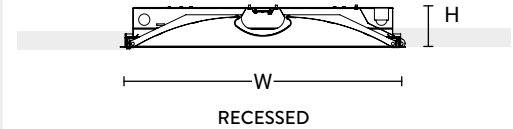
SDL-3x-1ACF-205G-40-35K

0°-180° ■
90°-270° ■

DIMENSIONS

SIZE	L	W	H
205G	59.75"	19.90"	3.65"

MOUNTING / CROSS SECTION



ORDERING INFORMATION

SDL	1ACF	205G					
FIXTURE	STYLE	SHIELDING	SIZE	LUMENS	CCT	CONTROLS *OPTIONAL*	DRIVER
SDL	3 = Static 4ft Troffer 3A = Air Handling 4ft Troffer 3F = Static Full Troffer 3FA = Air Handling Full Troffer	1ACF = 1 Acrylic Frosted Lens	205G = 20" x 60" T-Bar Ceiling	32 = 3200lm 36 = 3600lm 40 = 4000lm 44 = 4400lm 48 = 4800lm 52 = 5200lm 64 = 6400lm	30K = 3000K 35K = 3500K 40K = 4000K TW = Tunable White *Other CCT, RGB (Red, Green, Blue LEDs), DM (dim to warm) available, consult factory	OC = On / Off Occupancy Control O5 = 100% - 50% Hi / Low Occupancy Control	MV = Standard 120V-277V 1% Dimming (0-10V) 347 = Standard 347V Dimming (0-10V) EM = Emergency Driver X = DALI, Lutron EcoSystem LED, and other drivers available, consult factory

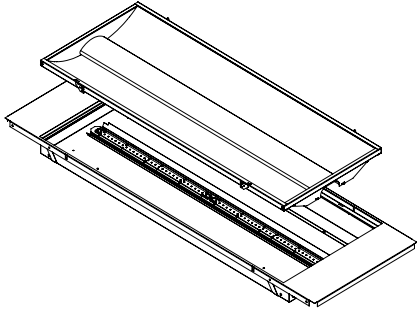
SDL-3x-1ACF-205G

SDL . 1 Acrylic Frosted Lens . 205 Grid

PROJECT:
CAT.NO:
NOTES:

DATE:
TYPE:
VOLTS:

PEERLUX[®]
SERIES



SHIELDING

Single contoured acrylic diffuser ribbed on the inside for maximum light distribution and smooth on the outside to prevent dirt accumulation. Frosted acrylic improves LED visual performance and eliminates glare.

CONSTRUCTION

Rigid one-piece body die-formed of code gauge steel. Contoured steel reflector and frosted lens assembly is held within a hinged and latched frame.

FINISH

Standard finish is high gloss white polyester baked powder coat enamel. Custom colours available, consult factory. Glossy / Matte / Custom Colours



LED LIGHT ENGINE

Mounted on internal high reflectance white painted reflector.

LED DRIVER

1% Dimming (0-10V). Emergency driver available. DALI (Digital Addressable Lighting Interface), Lutron EcoSystem LED, and other drivers available, consult factory.

ELECTRICAL

3000K 3500K 4000K

120V - 277V 347V

*TW (Tunable White), other CCT, RGB (Red, Green, Blue LEDs), DM (dim to warm) available, consult factory. L80 performance at 60,000 hours minimum. 80 CRI Standard. Other dimming options, lumen options, 90CRI and lengths available, consult factory.

CERTIFICATION

Approved to UL1598 and CSA C22.2 No. 250 standards** Suitable for damp locations.



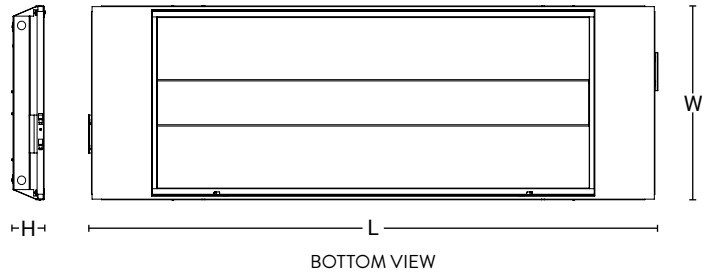
*LED Five (5) year limited warranty.

**Operating temperature: -20°C to +35°C / -4°F to +95 °F, consult factory for operating temperatures outside the listed range.

***Not all available products are DLC qualified. View DLC Qualified Products List at designlights.org to confirm which versions are qualified.

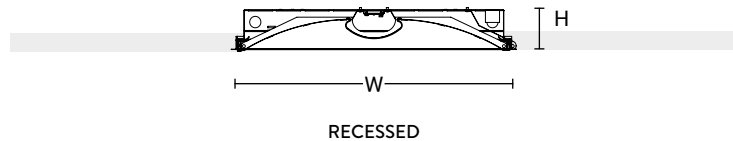
DIMENSIONS

SIZE	L	W	H
205G	59.75"	19.90"	3.65"

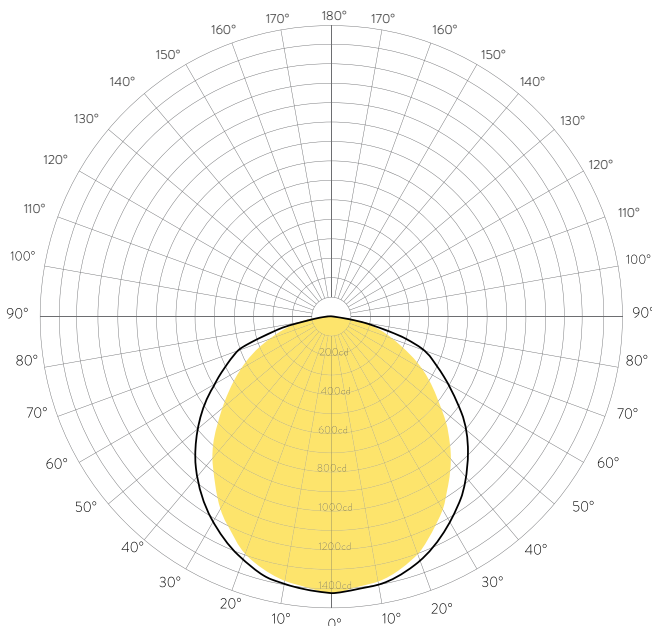


MOUNTING / CROSS SECTION

Recessed installation in an exposed flat 15/16" T-grid ceiling.



PHOTOMETRIC DATA



SDL-3x-1ACF-205G-40-35K

0°-180° █
90°-270° █