

## GENERAL DESCRIPTION

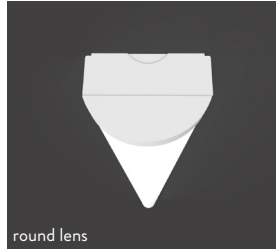
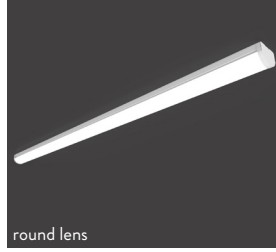
**LED luminaire** for **surface** installation or **suspended** installation with chains by others. Rounded or square extruded frosted acrylic lens with a rigid body constructed from code gauge steel. Ideal for commercial, residential, retail and cove applications. Row mounting available, consult factory. Field Adjustments to be done on site.

## CERTIFICATION

Approved to UL1598 and CSA C22.2 No. 250 standards\*\*  
Suitable for damp locations.



\*LED Five (5) year limited warranty.  
\*\*Operating temperature: -20°C to +35°C / -4°F to +95 °F, consult factory for operating temperatures outside the listed range.  
\*\*\*Not all available products are DLC qualified. View DLC Qualified Products List at designlights.org to confirm which versions are qualified.  
Specifications are subject to change. Please confirm latest specifications prior to placing order.



## PERFORMANCE SUMMARY (NSLE-RA - DRIVER: MV3)

### 2FT AT 4000K

LUMENS(lm)	WATTAGE(W)	EFFICACY(lm/W)
1850	14	132

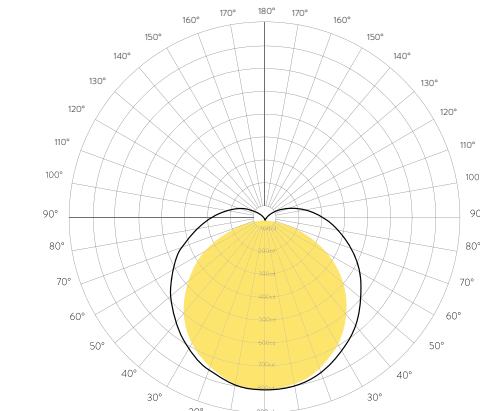
### 4FT AT 4000K

LUMENS(lm)	WATTAGE(W)	EFFICACY(lm/W)
5200	40	131

### 8FT AT 4000K

LUMENS(lm)	WATTAGE(W)	EFFICACY(lm/W)
9100	70	131

## PHOTOMETRIC DATA



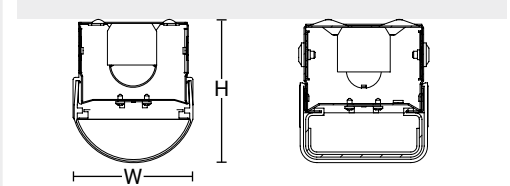
NSLE-RA-4-40W-35K

0°-180° ■  
90°-270° ■

## DIMENSIONS

SIZE	L	W	H
2FT	24.05"	2.30"	2.70"
4FT	48.00"	2.30"	2.70"
8FT	95.90"	2.30"	2.70"

## MOUNTING / CROSS SECTION

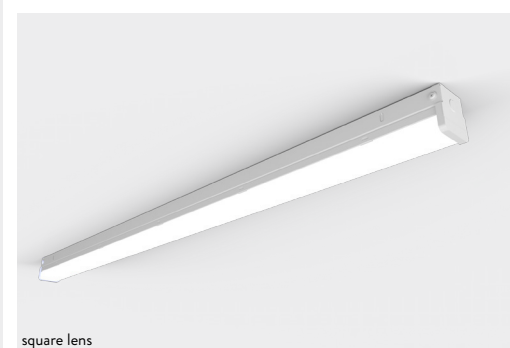
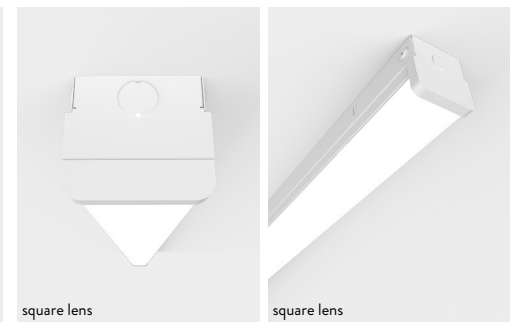


**SURFACE**

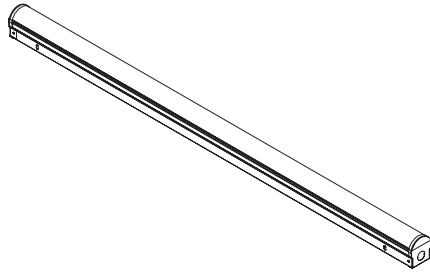
\*Suspended installation with chains by others

## ORDERING INFORMATION

NSLE		V35K				
FIXTURE	SHIELDING	LENGTH	WATTAGE	CCT	*OPTIONS*	DRIVER
NSLE = Narrow . Strip . Luminaire . Evalux	RA = Rounded Acrylic Lens	2 = 2ft	14W = 14 Watts	V35K = Variable 3500K (SELECTABLE 30K-35K-40K)	O = Microwave Occupancy Sensor  E = Emergency Driver  OE = Occupancy sensor and emergency driver	MV = Standard 120V-277V, 10% Dimming (0-10V)  MV3 = 120V-347V, 10% Dimming (0-10V)
		4 = 4ft	V40W = 40 Watts (SELECTABLE 20W-30W-40W)			
	8 = 8ft	70W = 70 Watts				
	SA = Square Acrylic Lens					

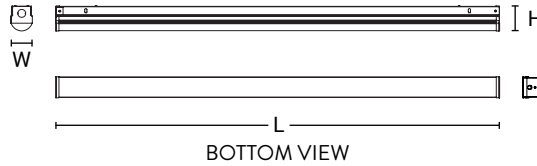


\*Wire guard ordering code is NSLE-RA-4-WG (order two 4ft wire guards for one 8ft fixture)

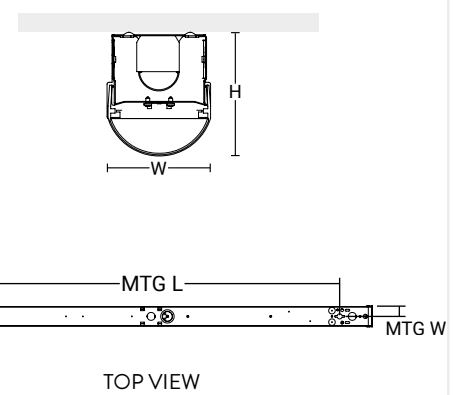


### DIMENSIONS (NSLE-RA)

SIZE	L	W	H	MTG L	MTG W
2FT	24.05"	2.30"	2.70"	13.65"	1.10"
4FT	48.00"	2.30"	2.70"	41.50"	1.15"
8FT	95.90"	2.30"	2.70"	85.50"	1.15"



### MOUNTING / CROSS SECTION



### SHIELDING

Rounded or square extruded frosted acrylic lens.

### CONSTRUCTION

Rigid body constructed from code gauge steel.

### FINISH

High gloss white polyester baked powder coat enamel.



### LED LIGHT ENGINE

Mounted on internal high reflectance white painted reflector.

### LED DRIVER

10% Dimming (0-10V).

### ELECTRICAL

3000K 3500K 4000K

120V - 277V 120V - 347V

L80 performance at 60,000 hours minimum.  
80 CRI Standard. Other dimming options, lumen options, 90CRI and lengths available, consult factory.

### CERTIFICATION

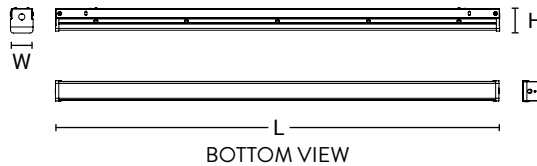
Approved to UL1598 and CSA C22.2 No. 250 standards\*\*  
Suitable for damp locations.



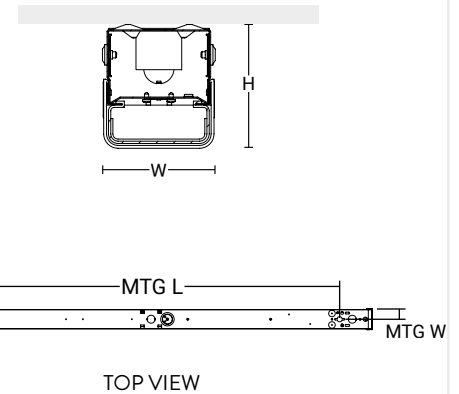
\*LED Five (5) year limited warranty.  
\*\*Operating temperature: -20°C to +35°C / -4°F to +95 °F, consult factory for operating temperatures outside the listed range.  
\*\*\*Not all available products are DLC qualified. View DLC Qualified Products List at designlights.org to confirm which versions are qualified.

### DIMENSIONS (NSLE-SA)

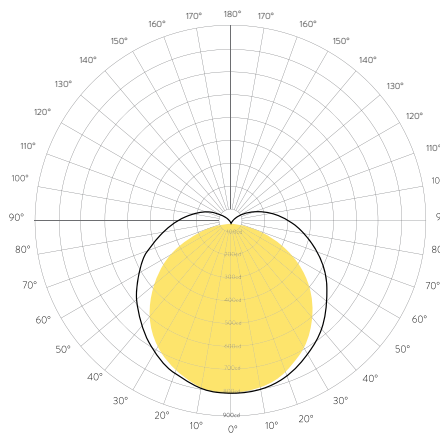
SIZE	L	W	H	MTG L	MTG W
2FT	24.05"	2.30"	2.70"	13.65"	1.10"
4FT	48.00"	2.30"	2.70"	41.50"	1.15"
8FT	95.90"	2.30"	2.70"	85.50"	1.15"



### MOUNTING / CROSS SECTION



### PHOTOMETRIC DATA



NSLE-RA-4-40W-35K

0°-180° █  
90°-270° █

### ZONAL LUMEN SUMMARY

Zone	Lumens
0.00°-10.00°	76.44
10.00°-20.00	219.52
20.00°-30.00	336.56
30.00°-40.00	414.76
40.00°-50.00	447.29
50.00°-60.00	434.22
60.00°-70.00	382.45
70.00°-80.00	304.69
80.00°-90.00	221.50
90.00°-100.00	155.40
100.00°-110.00	105.00
110.00°-120.00	65.78
120.00°-130.00	37.47
130.00°-140.00	19.13
140.00°-150.00	8.49
150.00°-160.00	3.32
160.00°-170.00	1.14
170.00°-180.00	0.26
0.00°-90.00	2837.42
90.00°-180.00	396.01
0.00°-180.00	3233.43

### WATTAGE & EFFICACY (NSLE-RA - DRIVER: MV3)

NSLE-RA-2-14W-40K-MV3	1850lm	4000K	14W	132lm/W
NSLE-RA-4-40W-40K-MV3	5200lm	4000K	40W	131lm/W
NSLE-RA-8-70W-40K-MV3	9100lm	4000K	70W	131lm/W

### CONE OF LIGHT

Mtg Height	Light Level	Beam Diameter
6.0 ft	22.4 fc	31.2 ft
8.0 ft	12.6 fc	41.6 ft
10.0 ft	8.1 fc	52.0 ft
12.0 ft	5.6 fc	62.4 ft
15.0 ft	3.6 fc	78.0 ft