

GENERAL DESCRIPTION

Germicidal luminaire for **suspended** mounting with aircraft cables. Designed for cleaning the air of bacteria, fungi, their spores and inactivating viruses by destroying their ability to replicate. A stylish linear fixture that provides indirect UVc disinfection. Ideal for architectural applications. Row mounting available, consult factory. Direct disinfection available, consult factory.

CERTIFICATION

Approved to UL1598 and CSA C22.2 No. 250 standards**

Suitable for damp locations.



*5000 hours limited warranty for lamps.

**Operating temperature: -20°C to +35°C / -4°F to +95 °F, consult factory for operating temperatures outside the listed range.

Specifications are subject to change. Please confirm latest specifications prior to placing order.

PERFORMANCE SUMMARY 4FT LAMPS

ECR-G	Irradiance E (W/m ²)	
	245nm radiation measured orthogonally to ~ 1m from the center of the lamp	
After	0min	30min
1 x G32T8	2.4	3.1
2 x G32T8	3.4	5.2



CONSTRUCTION

Rigid body constructed from code gauge steel.

Sensor optional yet highly recommended, the microwave UVc sensor interrupts the power in case of detection of movement and resumes operation after a time that can be adjusted (by DIP switch) to 10/30/90 seconds or 5/10/30 minutes (ie after this time the power will resume); sterilization duration, can be selected at 15/30/60 minutes or infinity.

FINISH

Standard finish is white polyester baked powder coat enamel. Custom colours available, consult factory.

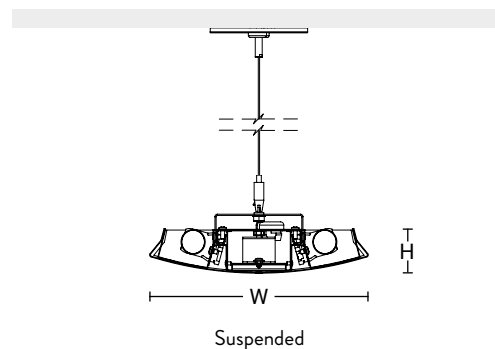
Glossy / Matte / Custom Colours



DIMENSIONS

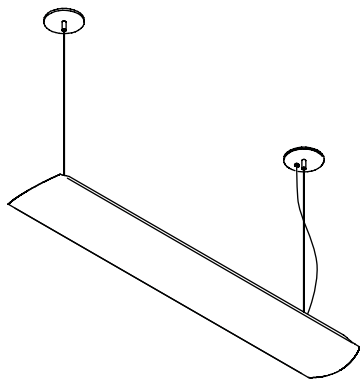
SIZE	L	W	H
4FT	54.50"	9.00"	1.83"

MOUNTING / CROSS SECTION



ORDERING INFORMATION

ECR-G	S	4	2	G32T8	AC	X	120	IS	
FIXTURE	DISTRIBUTION	MODULE (NOMINAL)	LAMPS	WATTS	FINISH	MOUNTING	SENSOR	VOLTAGE	DRIVER
	S = Solid (Indirect)	4 = 4'	2 = 2 lamps	G32T8 = Germicidal 32 Watts 1 inch diameter (T8)	GLOSSY W = White Housing B = Black Housing G = Grey Housing MATTE WM = White Housing BM = Black Housing GM = Grey Housing X = other colours and finishes available, consult factory	AC = Aircraft Cable Specify length (Inches) *The luminaire must not be suspended at height of less than 7ft measured from the ground, for reasons of double safety (to protect the eyes and skin of nearby people if the product has no sensor or it has failed).	X = Microwave Motion Sensor, designed for UVc applications	120 = 120 Volts	IS = Instant Start



CONSTRUCTION

Rigid body constructed from code gauge steel.

Sensor optional yet highly recommended, the microwave UVC sensor interrupts the power in case of detection of movement and resumes operation after a time that can be adjusted (by DIP switch) to 10/30/90 seconds or 5/10/30 minutes (ie after this time the power will resume); sterilization duration, can be selected at 15/30/60 minutes or infinity.

FINISH

Standard finish is white polyester baked powder coat enamel. Custom colours available, consult factory.

Glossy / Matte / Custom Colours



LIGHT ENGINE

Lamps are the type that generate ozone, which offers an advantage as it reaches hidden places and disinfects yet has a specific smell and therefore it is recommended to periodically ventilate the rooms. Ozone has a half-life of about 15 minutes.

BALLAST

IS (instant start), if one lamp will burn, the other will work (in the case of mounting with multiple lamps, usually two) ; another advantage of the IS type is that it consumes ~ 2W less per lamp.

ELECTRICAL

1 x 32W / 2 x 32W 120V

CERTIFICATION

Approved to UL1598 and CSA C22.2 No. 250 standards**
Suitable for damp locations.

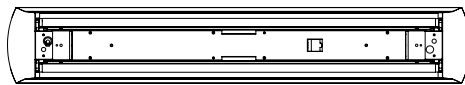


*5000 hours limited warranty for lamps.

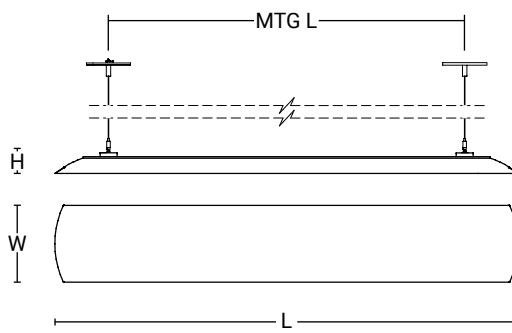
**Operating temperature: -20°C to +35°C / -4°F to +95 °F, consult factory for operating temperatures outside the listed range.

DIMENSIONS

SIZE	L	W	H	MTG L	MTG W
4FT	54.50"	9.00"	1.83"	41.94"	4.50"



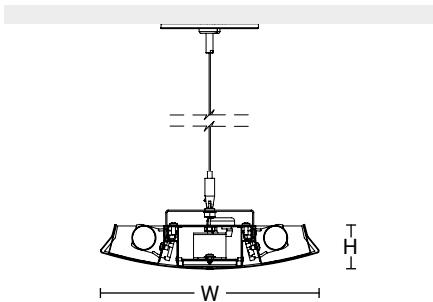
TOP VIEW



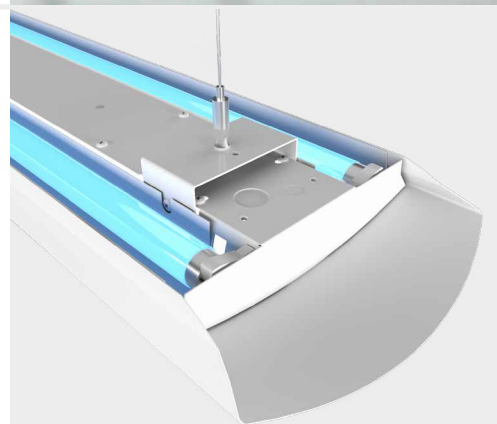
BOTTOM VIEW

MOUNTING / CROSS SECTION

Suspended mounting.



Due to preventive safety measures, the luminaire will be mounted at a height of at least 7ft from the floor.



LAMPS

WARNING!

ULTRAVIOLET LIGHT IS HARMFUL TO EYES AND SKIN:

1. DO NOT STARE DIRECTLY INTO THE ULTRAVIOLET BEAM WITHOUT WEARING PROTECTIVE GEAR !
2. DO NOT TOUCH LAMP WITH BARE HANDS (THE OILS IN YOUR SKIN WILL DAMAGE THE LAMP BY REDUCING THE LIFESPAN, UNLESS FINGERPRINTS REMOVED WITH ALCOHOL) !
3. FOR CLEANING BE SURE THE FIXTURE IS DISCONNECTED FROM POWER SOURCE AND COOLED OFF !

OPERATION SAFETY

1. HUMANS, ANIMALS AND PLANTS ARE FORBIDDEN TO BE EXPOSED TO ULTRAVIOLET LIGHT FOR LONG PERIODS OF TIME.
2. THESE FIXTURES CONTAIN LAMPS THAT PRODUCE ULTRAVIOLET LIGHT ONLY WHEN POWERED. PROTECTIVE EQUIPMENT IS ONLY REQUIRED WHEN LIT.
3. FOR REGULAR MAINTENANCE / CLEANING, WEAR PROTECTIVE EQUIPMENT WITH AT LEAST GOGGLES AND GLOVES, WITH THE PRODUCTS DISCONNECTED (AND COOLED).
4. IF IT IS ABSOLUTELY NECESSARY TO INTERVENE WITH THE LAMPS LIT, THEN IN ADDITION TO GOGGLES AND GLOVES, CLOTHES WILL BE WORN THAT COMPLETELY COVER THE SKIN AND THE INTERVENTION WILL BE REDUCED TO A MINIMUM TIME.