

EVALUX®
SERIES

NSLE

 **PEERLESS**
electric-électrique

INCE|T|ON®
PEERLESS CANADA

CONCEPT

The NSLE is a LED luminaire for surface installation or suspended installation with chains by others. Rounded or square extruded frosted acrylic lens with a rigid body constructed from code gauge steel. Ideal for commercial, residential, retail and cove applications. Row mounting available, consult factory.

CERTIFICATION

Approved to UL1598 and CSA C22.2 No. 250 standards**

Suitable for damp locations.



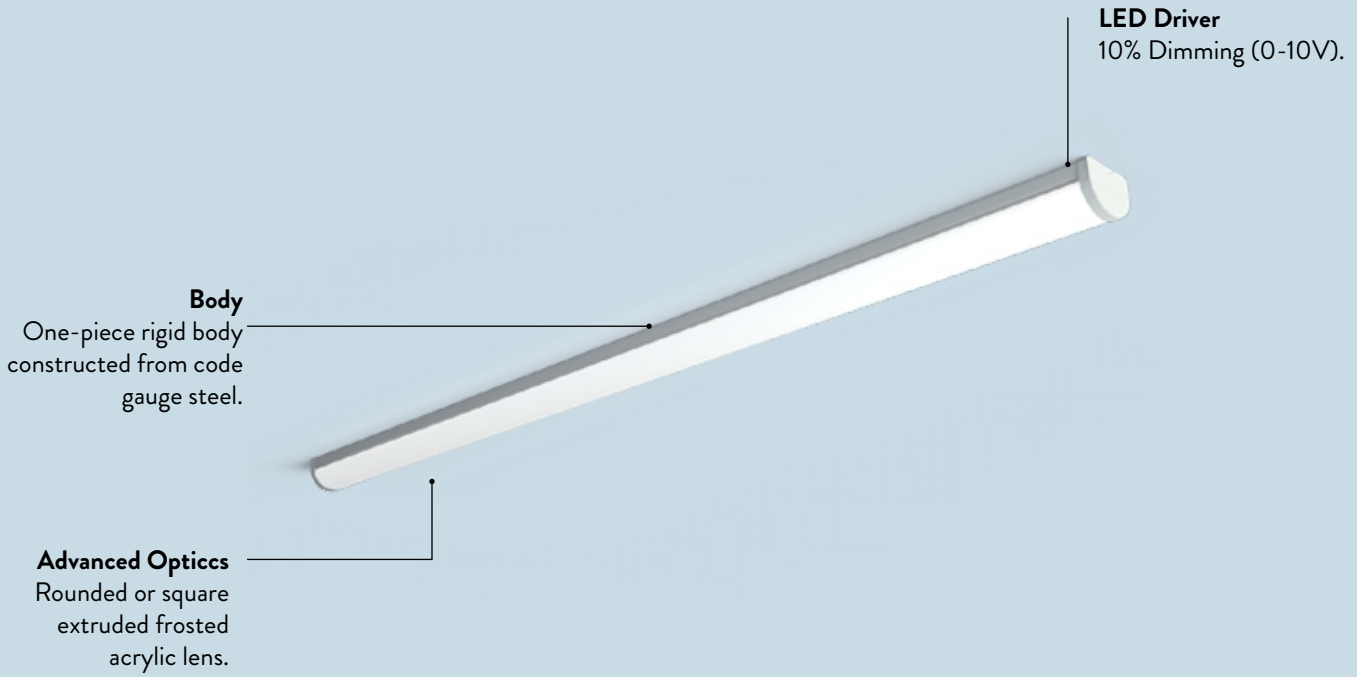
*LED Five (5) year limited warranty.

**Operating temperature: -20°C to +35°C / -4°F to +95 °F, consult factory for operating temperatures outside the listed range.

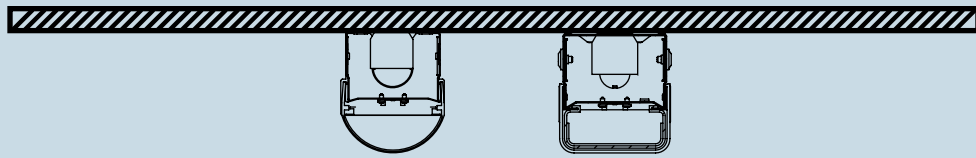
***Not all available products are DLC qualified. View DLC Qualified Products List at designlights.org to confirm which versions are qualified.



STRUCTURE

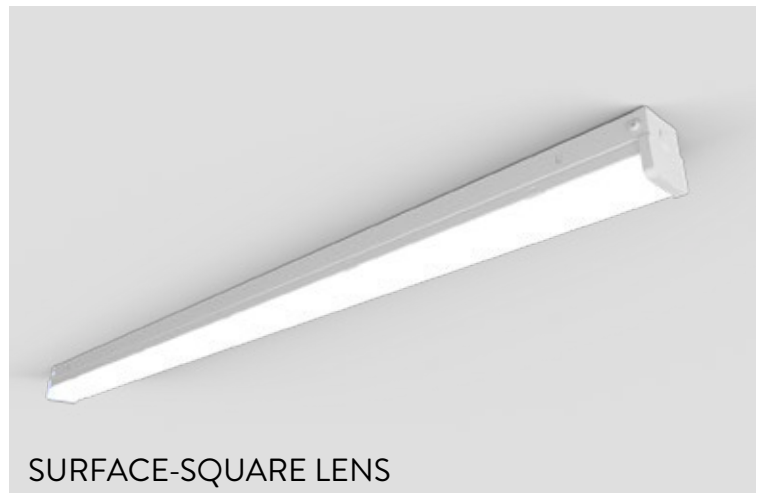
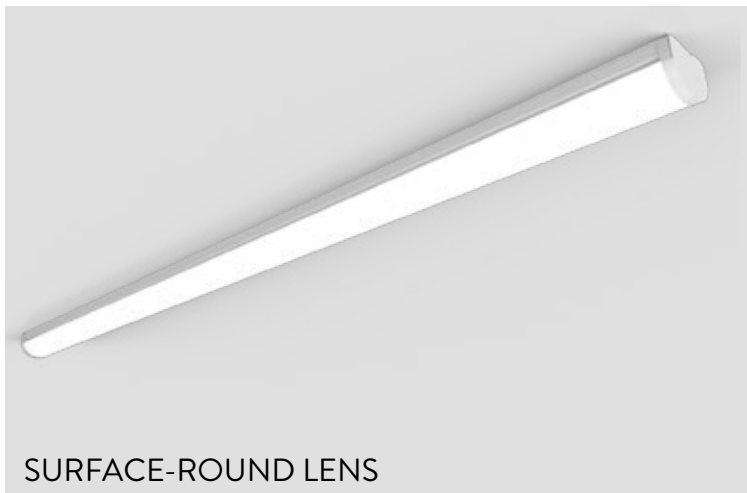


MOUNTING



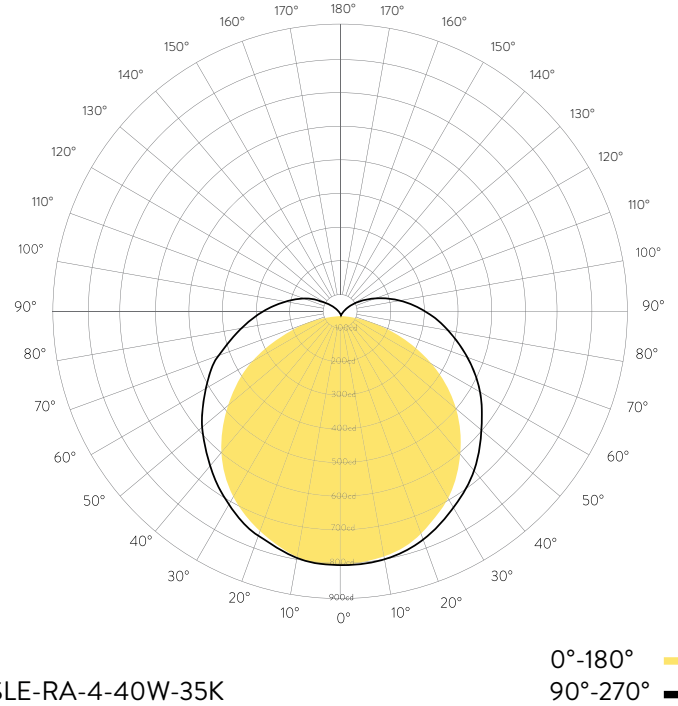
SURFACE

*Suspended installation with chains by others

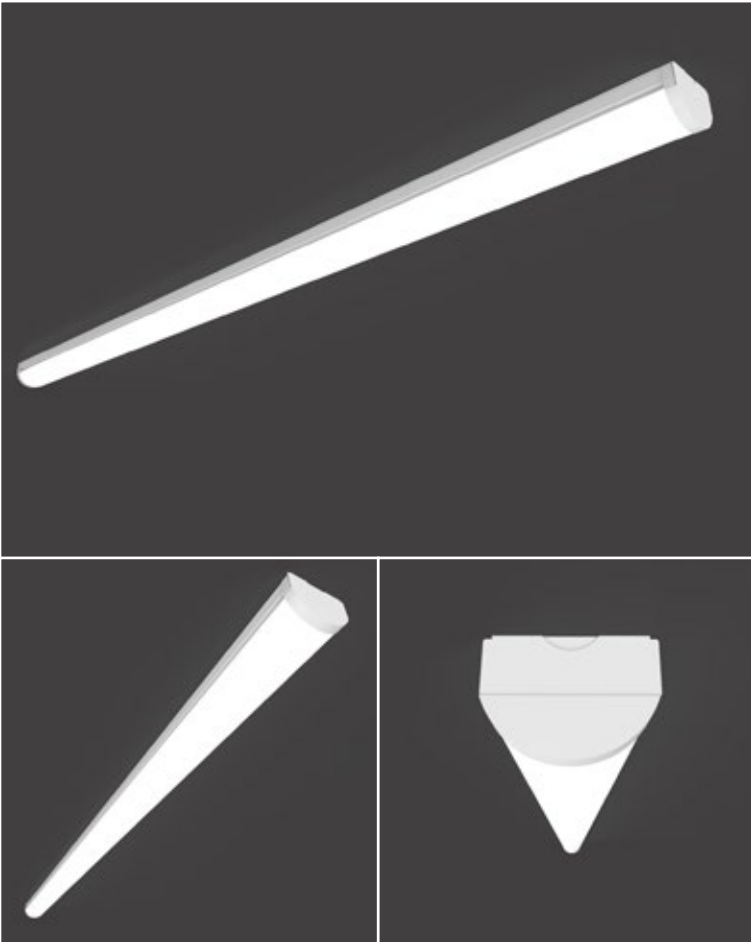




PHOTOMETRIC DATA

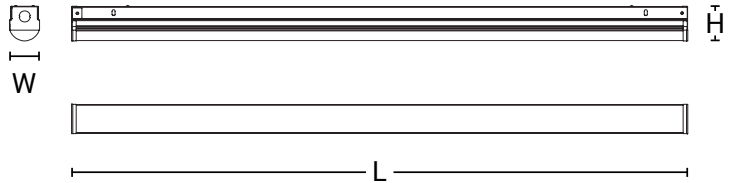


NSLE-RA-4-40W-35K



DIMENSIONS

SIZE	L	W	H
2FT	24.05"	2.30"	2.70"
4FT	48.00"	2.30"	2.70"
8FT	95.90"	2.30"	2.70"



BOTTOM VIEW



BOTTOM VIEW

ORDERING INFORMATION

NSLE				V35K		
FIXTURE	SHIELDING	LENGTH	WATTAGE	CCT	*OPTIONS*	DRIVER
NSLE = Narrow . Strip . Luminaire . Evalux	RA = Rounded Acrylic Lens	2 = 2ft	14W = 14 Watts	V35K = Variable 3500K (SELECTABLE 30K-35K-40K)	O = Microwave Occupancy Sensor	MV = Standard 120V-277V, 10% Dimming (0-10V)
		4 = 4ft	V40W = 40 Watts (SELECTABLE 20W-30W-40W)			
	SA = Square Acrylic Lens	8 = 8ft	70W = 70 Watts			
					OE = Occupancy sensor and emergency driver	

*Wire guard ordering code is **NSLE-RA-4-WG** (order two 4ft wire guards for one 8ft fixture)

