

LDXR

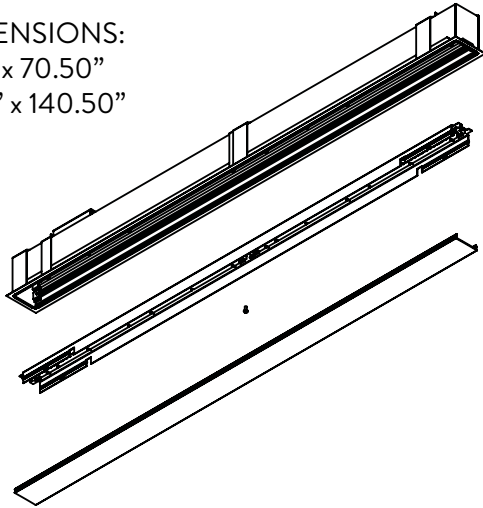
INSTALLATION - TRIM DRYWALL MOUNTING

2021-06-02

WARNING ! Installation should be performed by a qualified electrician in accordance with the National and Local Electrical Code.

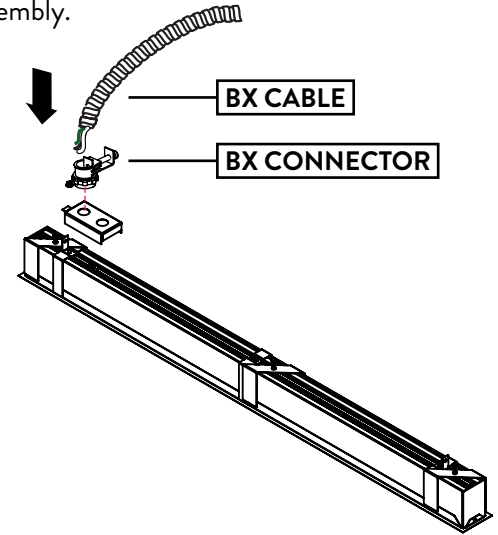
Prepare fixture for installation. Remove lens and LED tray. Cut slot in ceiling as per drawing.

CUT DIMENSIONS:
6ft: 4.00" x 70.50"
12ft: 4.00" x 140.50"



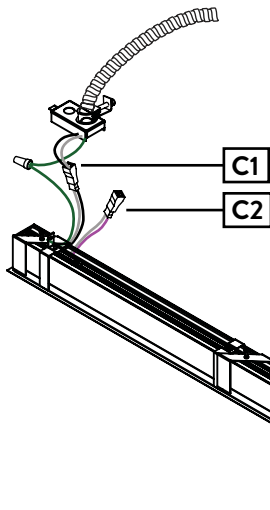
1

Install **BX CONNECTOR** (by others) and **BX CABLE** (by others) through the power conduit plate. Tighten BX cable assembly.



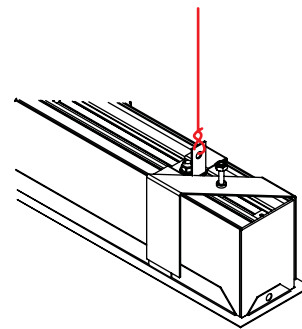
2

Make wire connection between BX cable (by others) to quick connector (**C1**) from fixture for feeding. For 0-10V dimming circuits, use the 2nd quick connector (**C2**) with Grey and Purple wires.



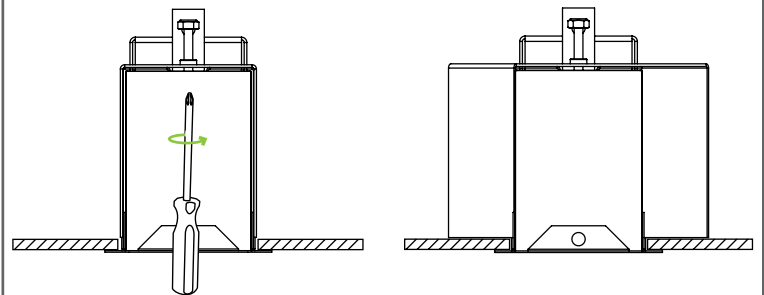
3

For additional security, attach safety wires from structure ceiling to tabs on fixture.



4

Using a screw driver secure mounting brackets reinstall tray and lens to finish installation.



5