

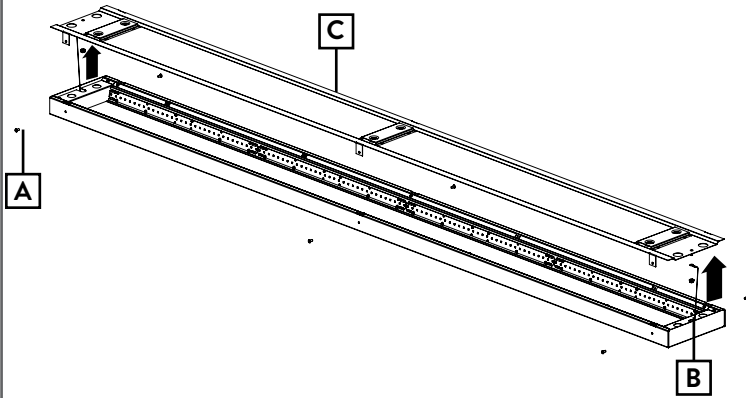
RQ1-0X

INSTALLATION - SURFACE MOUNTING

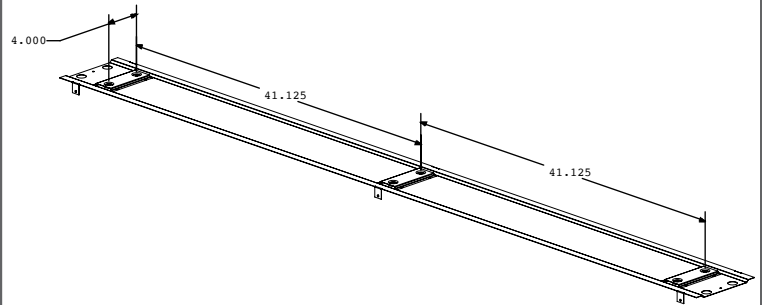
2019-11-11

WARNING ! Installation should be performed by a qualified electrician in accordance with the National and Local Electrical Code.

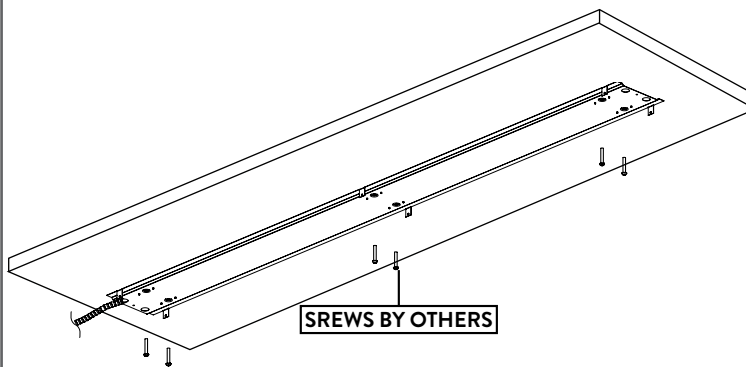
1
Unscrew # 8 x 3/8 screws (x6) **(A)**, detach tethers **(B)** from cover **(C)** (both sides)



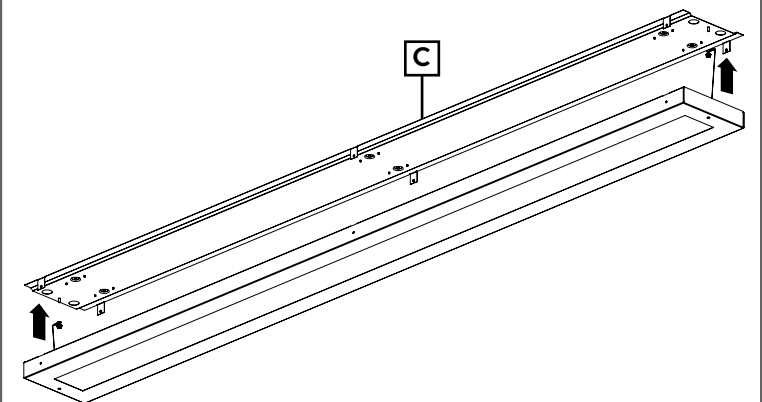
2
Locate junction box and run main power cord through one of four holes. Use provided mounting dimensions to create mounting points in the ceiling.



3
Fasten cover to ceiling



4
Attach tethers to cover **(C)** (both sides)



RQ1-0X

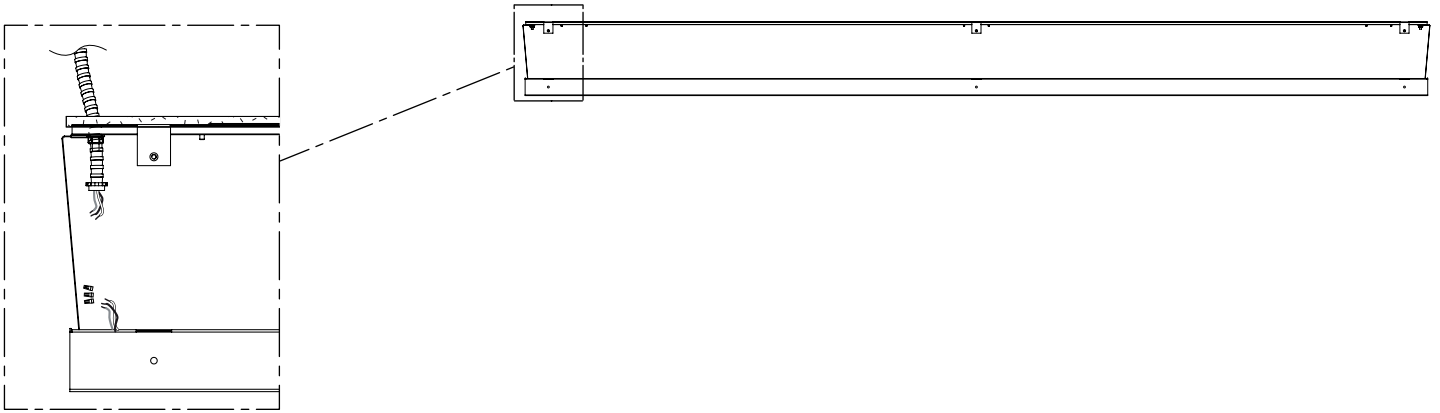
INSTALLATION - SURFACE MOUNTING

2019-11-11

WARNING ! Installation should be performed by a qualified electrician in accordance with the National and Local Electrical Code.

Make electrical connections between main power and fixture

5



Reinstall housing (D) to cover and secure with #8 X 3/8 screws (6)

6

