

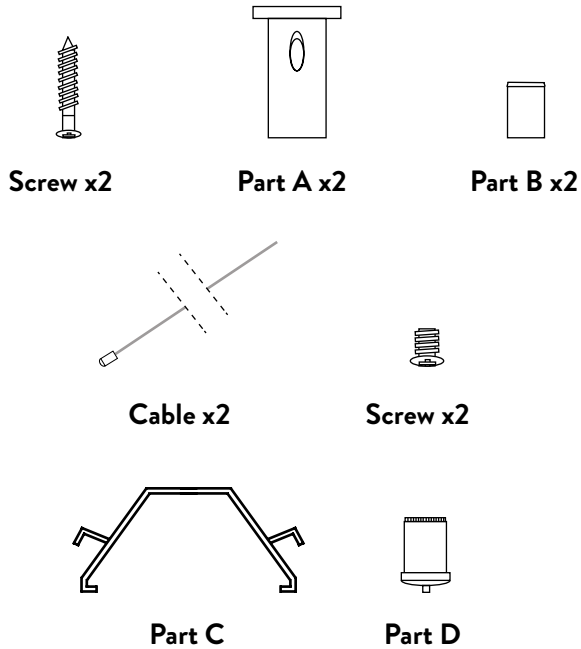
SVT

INSTALLATION - SUSPENDED KIT

2019-10-16

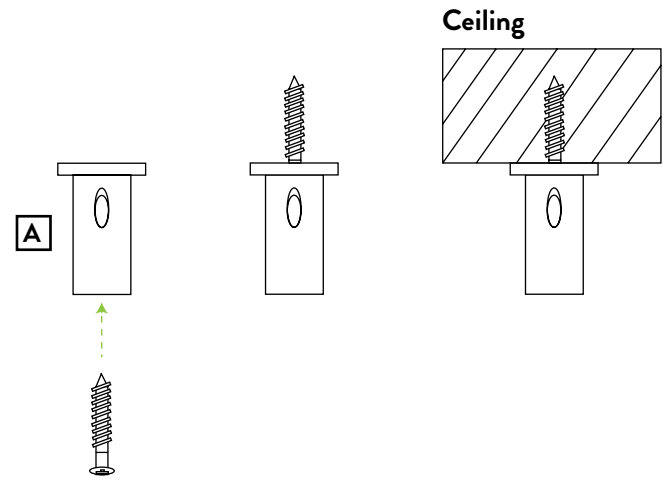
WARNING ! Installation should be performed by a qualified electrician in accordance with the National and Local Electrical Code.

PARTS



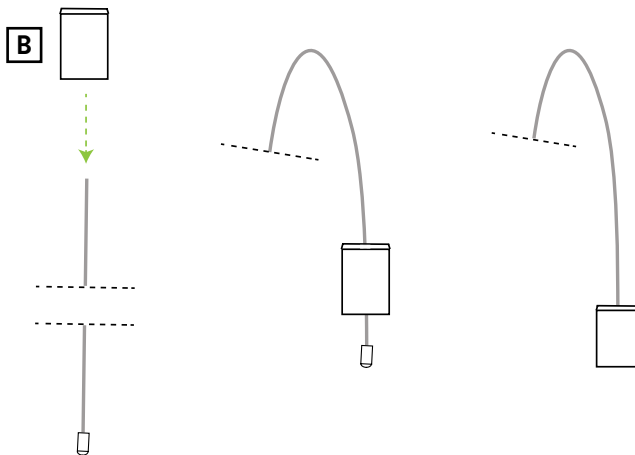
x2 - Secure screws to ceiling with part A attached.

1



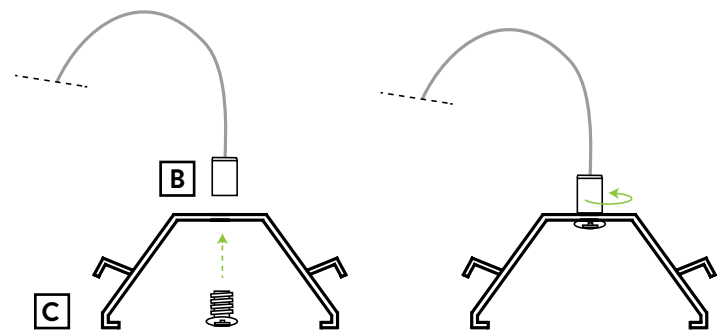
x2 - Insert part B into the cable and slide to end.

2



x2 - Attach part B to part C using a screw.

3



SVT

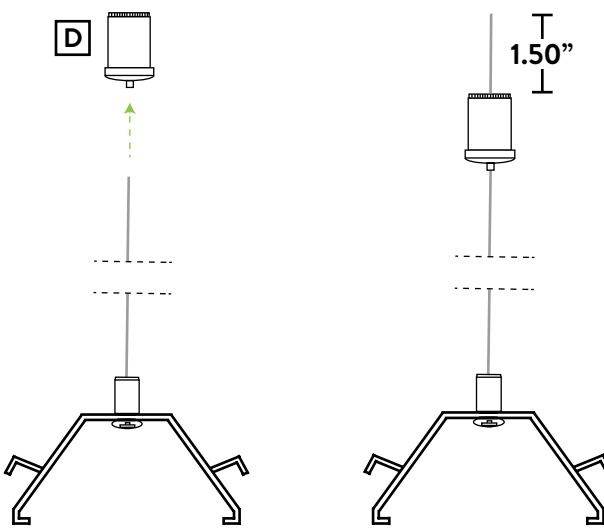
INSTALLATION - SUSPENDED KIT

2019-10-16

WARNING ! Installation should be performed by a qualified electrician in accordance with the National and Local Electrical Code.

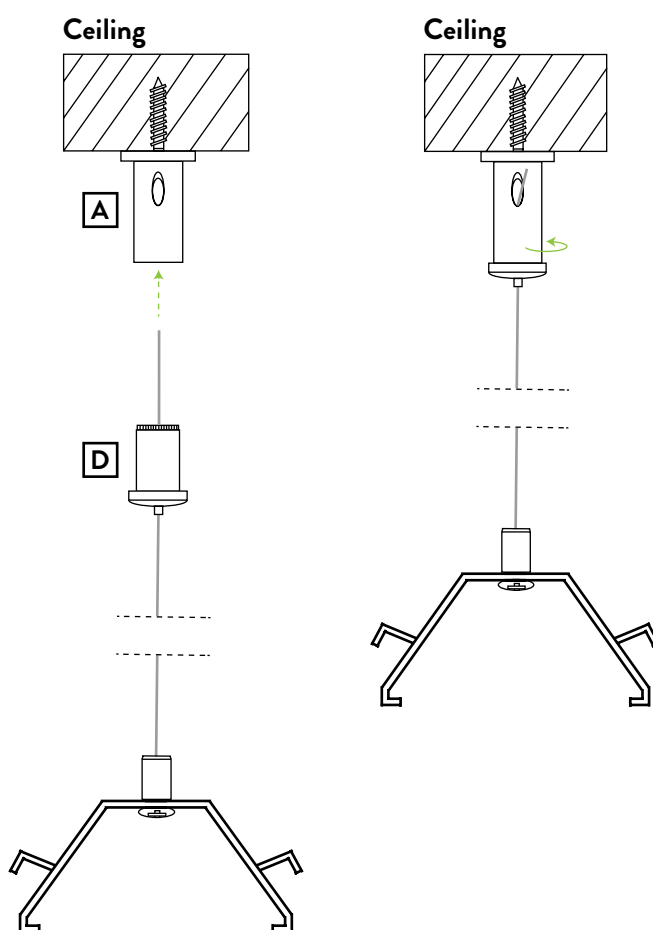
x2 - Insert cable thru part **D**, leaving 1.50" of extra cable at end.

4



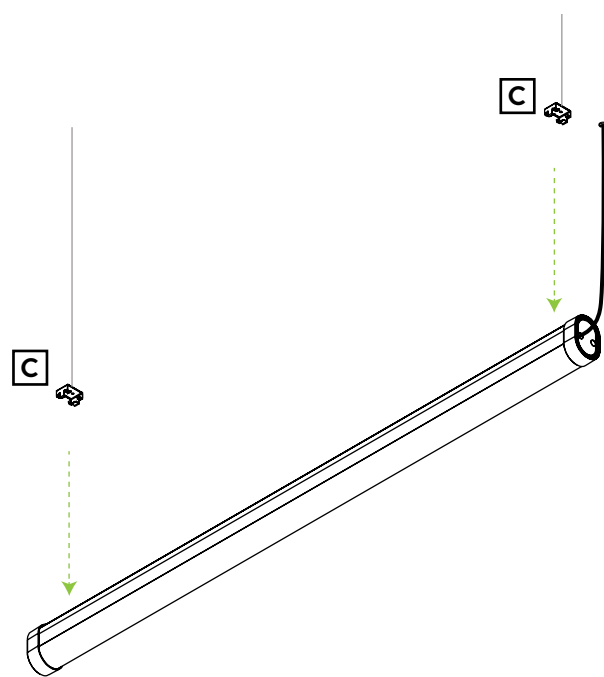
x2 - Screw together part **A** and **D**. Let extra cable extend out of hole for later adjustments.

5



Snap part **C** onto fixture and slide in place.

6



SVT

INSTALLATION - SUSPENDED KIT

2019-10-16

WARNING ! Installation should be performed by a qualified electrician in accordance with the National and Local Electrical Code.

7A. Make electrical wiring connection inside of junction box by others.

7B. Make appropriate connection.

7

For 0-10V dimming circuits, use grey & purple wires.
See wiring detail below.

Wiring Detail:

| Power Feeding (color) | USE |
|-----------------------|---------------|
| White | Neutral |
| Black | Line 100-347V |

| Grounding | |
|-----------|--------|
| Green | Ground |

| 0-10V Dimming | |
|---------------|--------|
| Grey | Grey |
| Purple | Purple |

