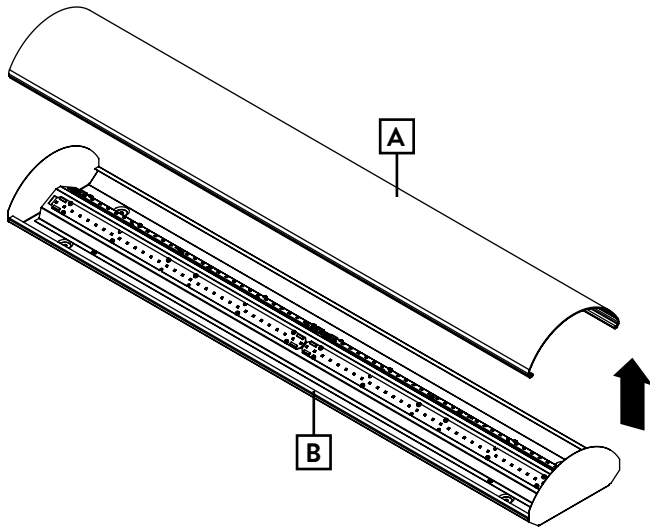


WARNING ! Installation should be performed by a qualified electrician in accordance with the National and Local Electrical Code.

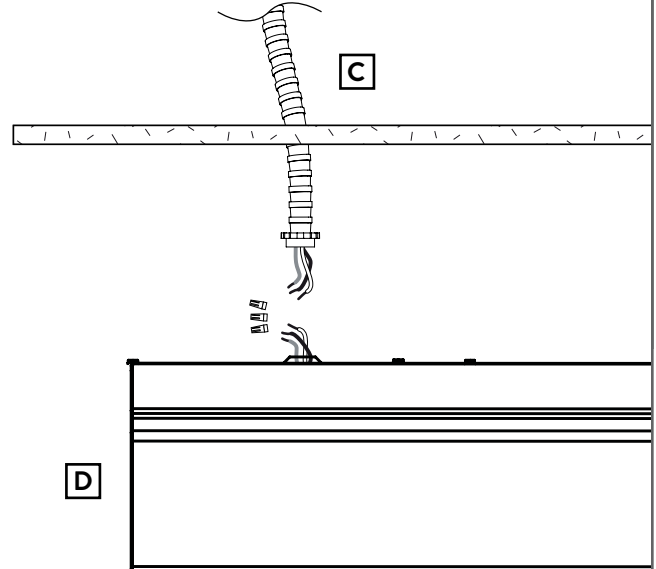
Remove lens (**A**) from housing (**B**).

1



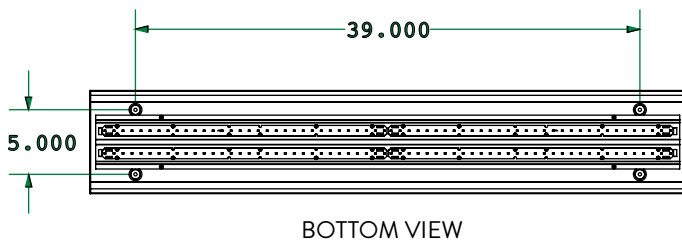
Make electrical connections between main power (**C**) and fixture (**D**). Number of wires may vary.

2



Screw onto surface using appropriate fasteners (by others). Use dimensions below for mounting points.

3



Reinstall lens (**A**) to housing (**B**).

4

