

PEERLUX<sup>®</sup>  
SERIES



# LDX-HB1

 **PEERLESS**  
electric-électrique

INCE|TION<sup>®</sup>  
PEERLESS CANADA

# CONCEPT

The LDX-HB1 is a LED luminaire for wall mounted installation (bed light). Flat frosted acrylic lens with a rigid body construction from code gauge steel. Separate upper and lower compartments provide uplight, downlight or both. Options available include convenience outlet, night light and various switching arrangement (left or right side installation). Ideal for health care institutions.

## CERTIFICATION

Approved to UL1598 and CSA C22.2 No. 250 standards\*\*

Suitable for damp locations.

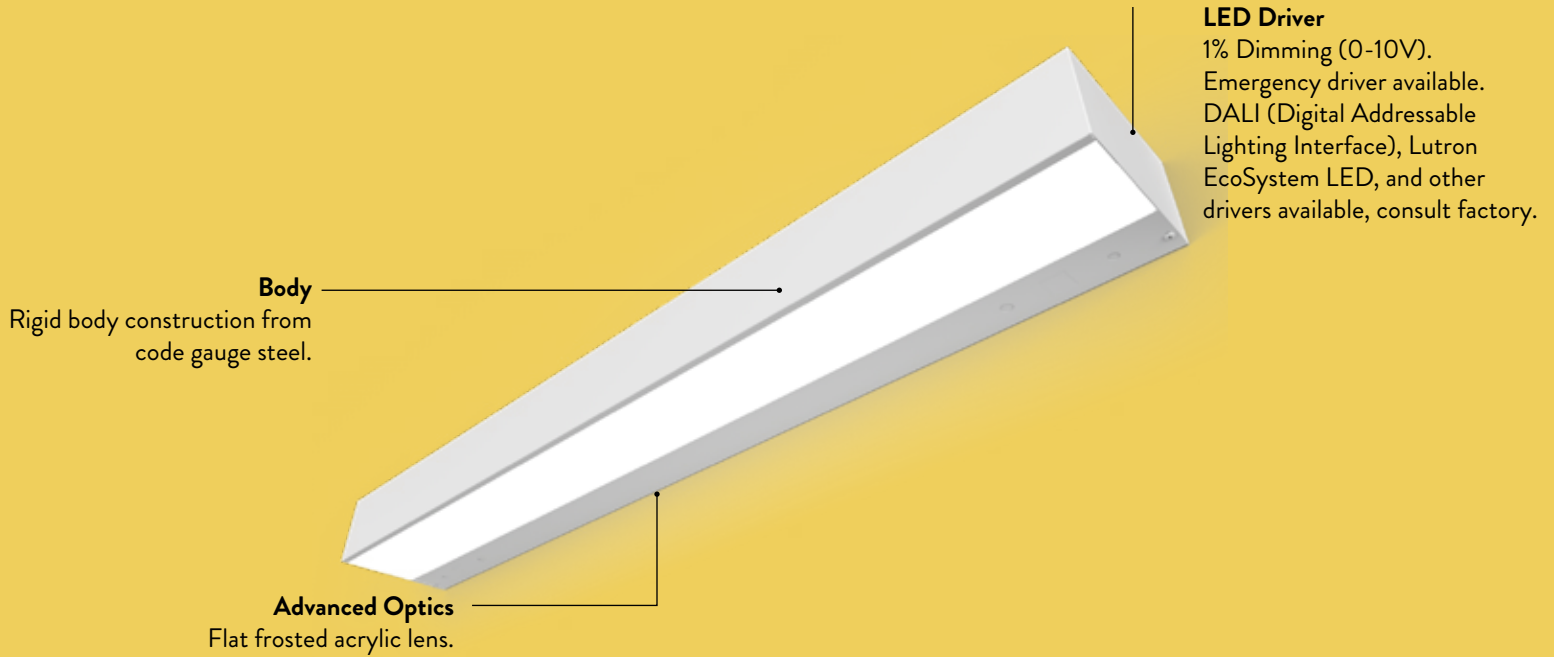


\*LED Five (5) year limited warranty.

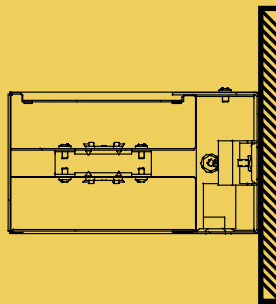
\*\*Operating temperature: -20°C to +35°C / -4°F to +95 °F, consult factory for operating temperatures outside the listed range.



## STRUCTURE



## MOUNTING



WALL MOUNTED

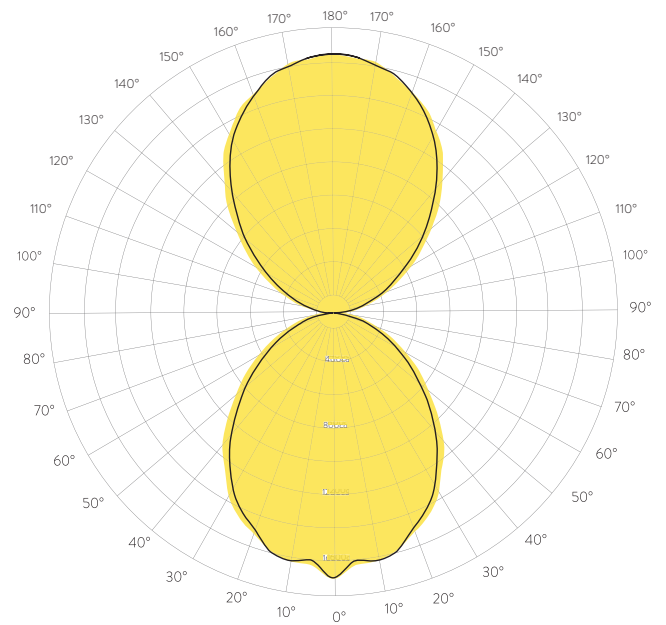






## IDEAL FOR HEALTHCARE INSTITUTIONS



## PHOTOMETRIC DATA



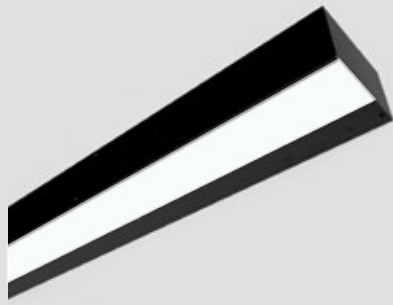
LDX-HB1-4-40U-40D-40K

0°-180°   
90°-270° 





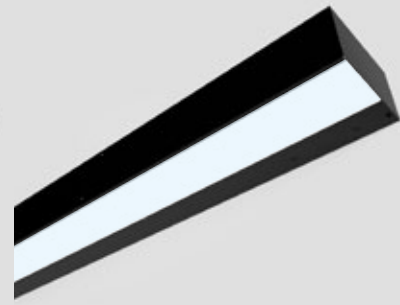
3000K



3500K



4000K



5000K

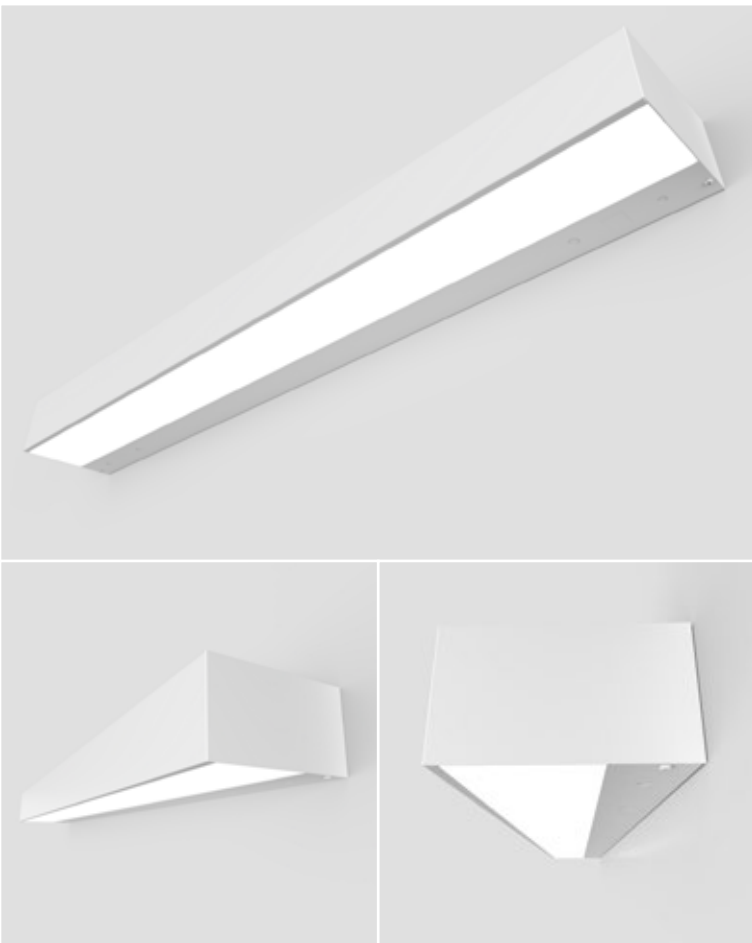
## TUNABLE WHITE FUNCTION OPTIONS

Available in 3000K, 3500K, 4000K and 5000K



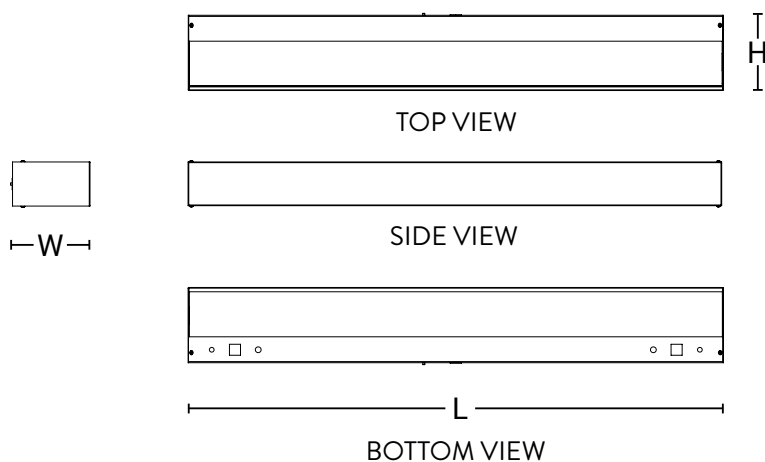
## COLOR

Standard finish is matte white polyester baked powder coat enamel. Matte grey and black available.



## DIMENSIONS

SIZE	L	W	H
3FT	35.05"	6.55"	3.75"
4FT	46.05"	6.55"	3.75"



## ORDERING INFORMATION

LDX-HB1					FA				
FIXTURE	LENGTH	LUMENS UP	LUMENS DOWN	CCT	SHIELDING	CAPTIVE LENS	FINISH	OPTIONS	DRIVER
LDX-HB1 = Linear. Hospital Bed.	2 = 2ft	<b>20U</b> = 2000lm Up  <b>30U</b> = 3000lm Up	<b>20D</b> = 2000lm Down  <b>30D</b> = 3000lm Down	<b>30K</b> = 3000K  <b>35K</b> = 3500K  <b>40K</b> = 4000K  <b>50K</b> = 5000K	<b>FA</b> = Flat Frosted Acrylic	<b>C</b> = Captive Lens  *omit for no captive lens	<b>GLOSSY</b>  <b>W</b> = White Housing  <b>B</b> = Black Housing  <b>G</b> = Grey Housing  <b>MATTE</b>  <b>WM</b> = White Housing  <b>BM</b> = Black Housing  <b>GM</b> = Grey Housing  <b>AB</b> = Antimicrobial Paint  <b>X</b> = other colours and finishes available, consult factory	<b>CSL</b> = 4 Position Pull Chain Left  <b>CSR</b> = 4 Position Pull Chain Right  <b>COL</b> = Convenience Outlet Left  <b>COR</b> = Convenience Outlet Right  <b>TSL</b> = Toggle Switch Left  <b>TSR</b> = Toggle Switch Right  <b>NL</b> = Night Light	<b>MV</b> = Standard 120V-277V 1% Dimming (0-10V)  <b>347</b> = Standard 347V Dimming (0-10V)  <b>EM</b> = Emergency Driver  <b>X</b> = DALI, Lutron EcoSystem LED, and other drivers available, consult factory
	4 = 4ft	<b>20U</b> = 2000lm Up  <b>30U</b> = 3000lm Up  <b>40U</b> = 4000lm Up  <b>50U</b> = 5000lm Up	<b>20U</b> = 2000lm Down  <b>30U</b> = 3000lm Down  <b>40U</b> = 4000lm Down  <b>50U</b> = 5000lm Down	<b>TW</b> = Tunable White  *Other CCT, RGB (Red, Green, Blue LEDs), DM (dim to warm) available, consult factory					

