

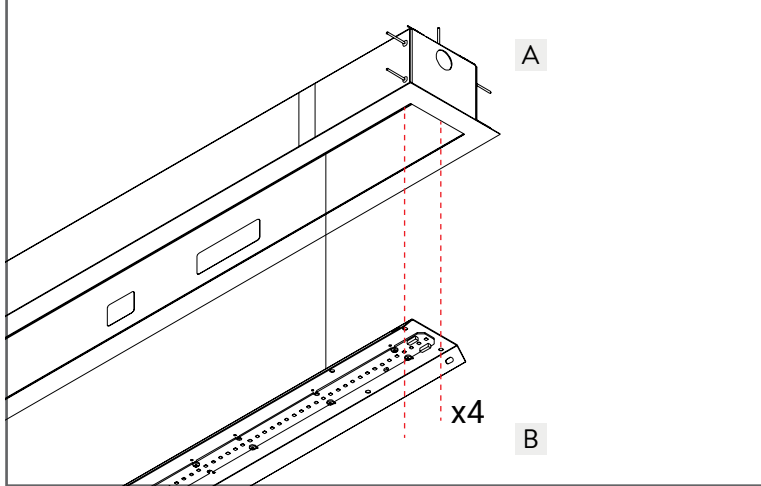
NITO

INSTALLATION

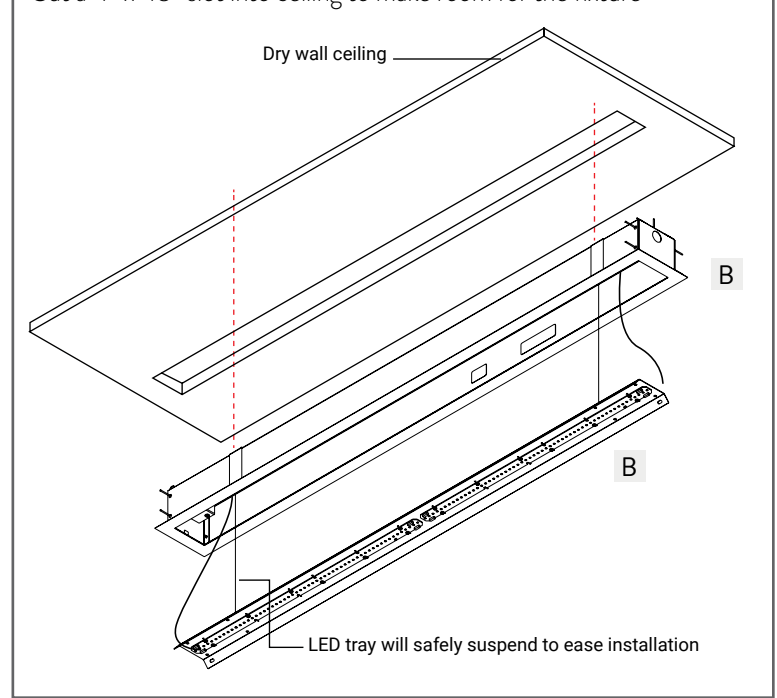
2019-03-07

WARNING ! Installation should be performed by a qualified electrician in accordance with the National and Local Electrical Code.

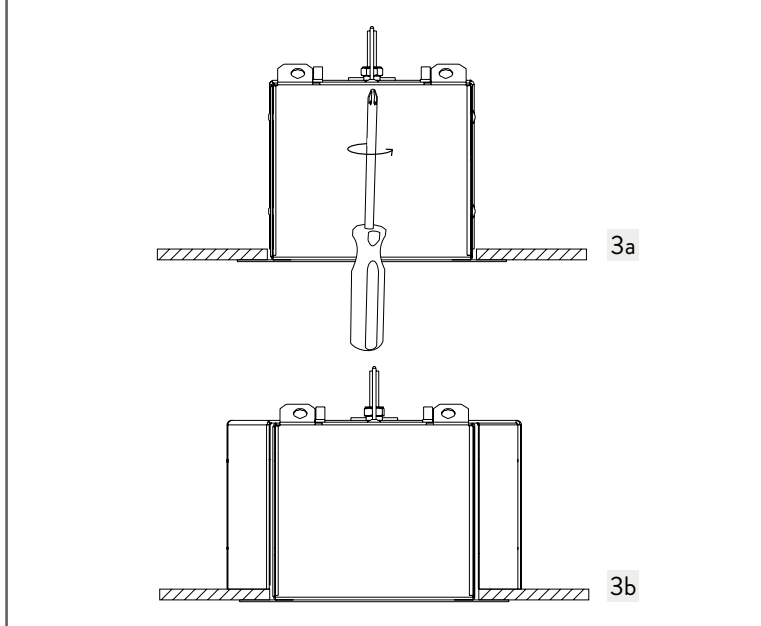
1 PREPARE FIXTURE FOR INSTALLATION
Remove lens. Remove LED tray (B) from housing (A) by removing screws x4



2 PREPARE SLOT FOR FIXTURE
Cut a 4" x 48" slot into ceiling to make room for the fixture



3 SECURE THE FIXTURE
Using a screw driver (3a) secure both mounting brackets until shown as (3b)



3 FINISH UP INSTALLATION
Re-install lens and 4 screws holding the LED tray (B)

